

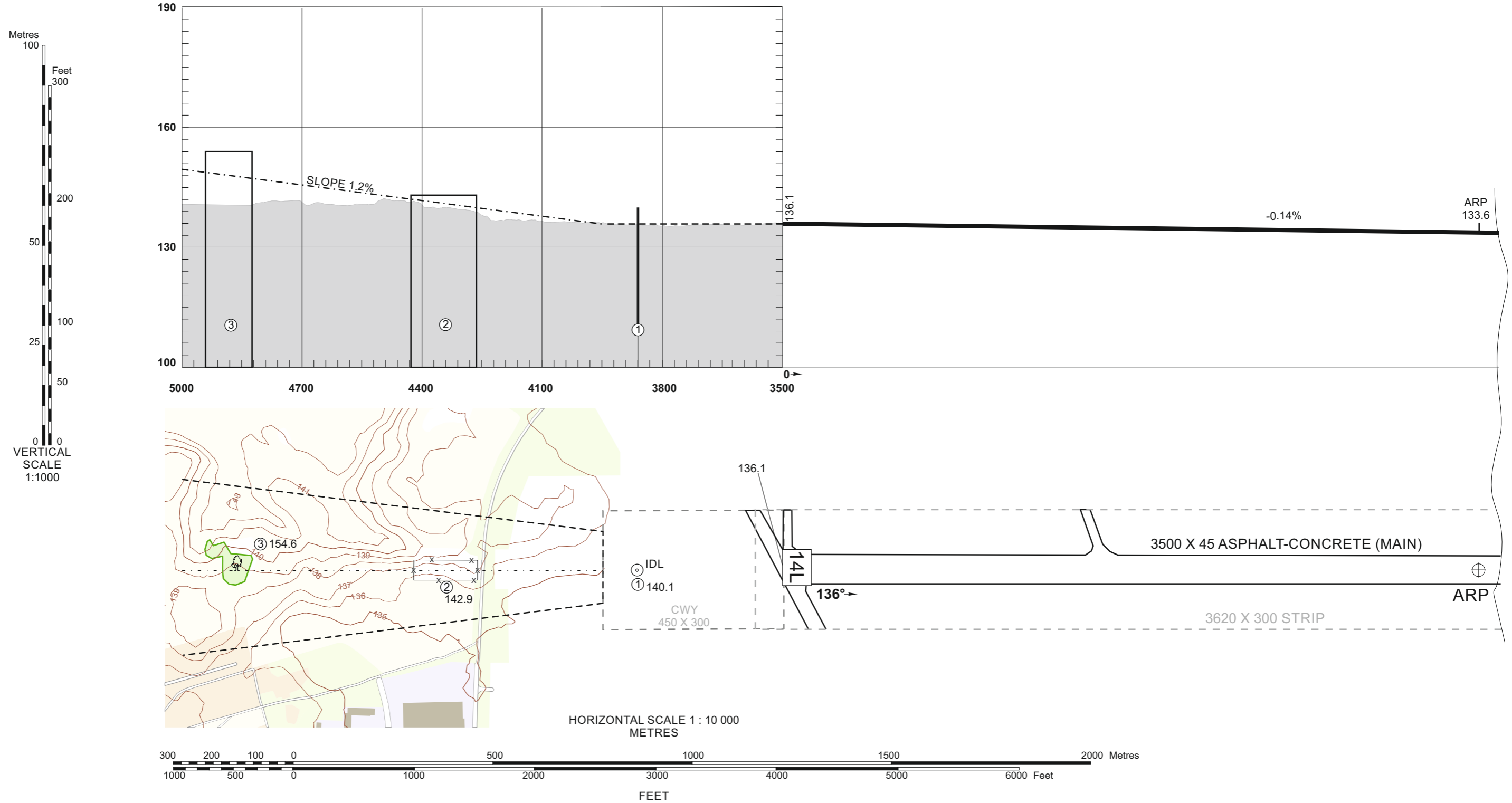
# AERODROME OBSTACLE CHART - ICAO

## TYPE A (OPERATING LIMITATIONS)

**ŠIAULIAI (EYSA)**  
**RWY 14L**

MAGNETIC VARIATION 10° E - 2021  
DIMENSIONS AND ELEVATIONS IN METRES  
ORDER OF ACCURACY  
HORIZONTAL 0.5M  
VERTICAL 0.1M

DECLARED DISTANCES	
3500	TAKE - OFF RUN AVAILABLE
3950	TAKE - OFF DISTANCE AVAILABLE
3500	ACCELERATE STOP DISTANCE AVAILABLE
3500	LANDING DISTANCE AVAILABLE



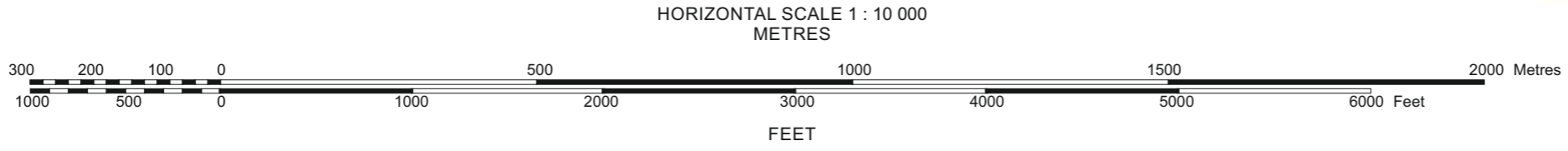
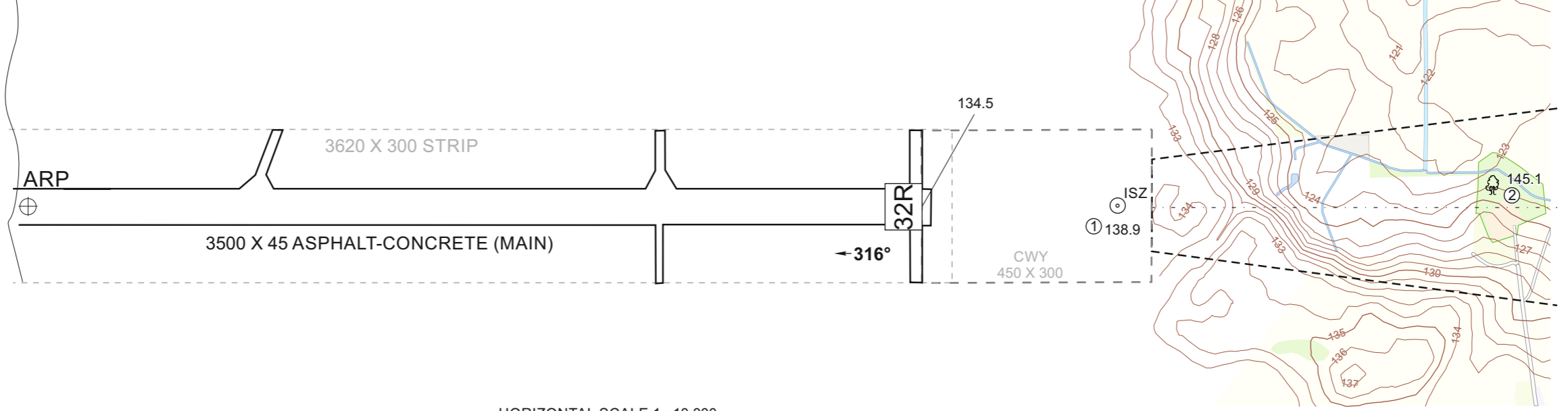
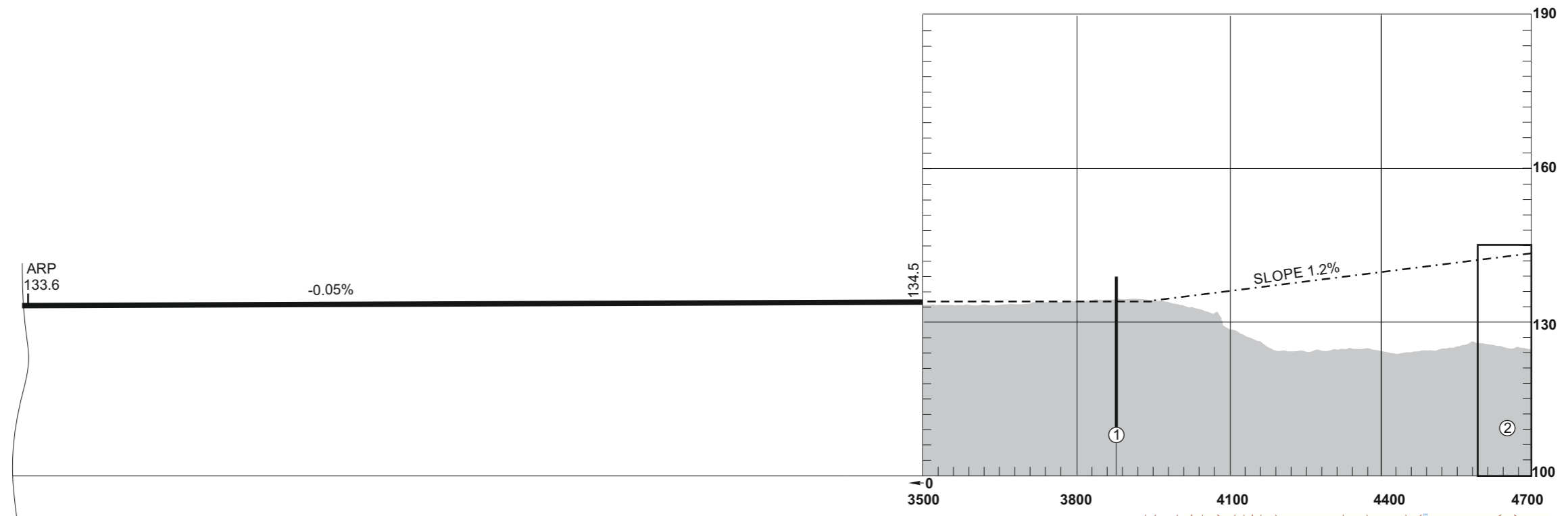
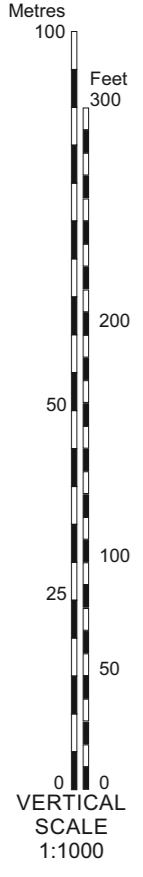
Changes:

# AERODROME OBSTACLE CHART - ICAO TYPE A (OPERATING LIMITATIONS)

MAGNETIC VARIATION 10° E - 2021  
DIMENSIONS AND ELEVATIONS IN METRES  
ORDER OF ACCURACY  
HORIZONTAL 0.5M  
VERTICAL 0.1M

ŠIAULIAI (EYSA)  
RWY 32R

DECLARED DISTANCES	
3500	TAKE - OFF RUN AVAILABLE
3950	TAKE - OFF DISTANCE AVAILABLE
3500	ACCELERATE STOP DISTANCE AVAILABLE
3500	LANDING DISTANCE AVAILABLE



LEGEND See GEN 2.3