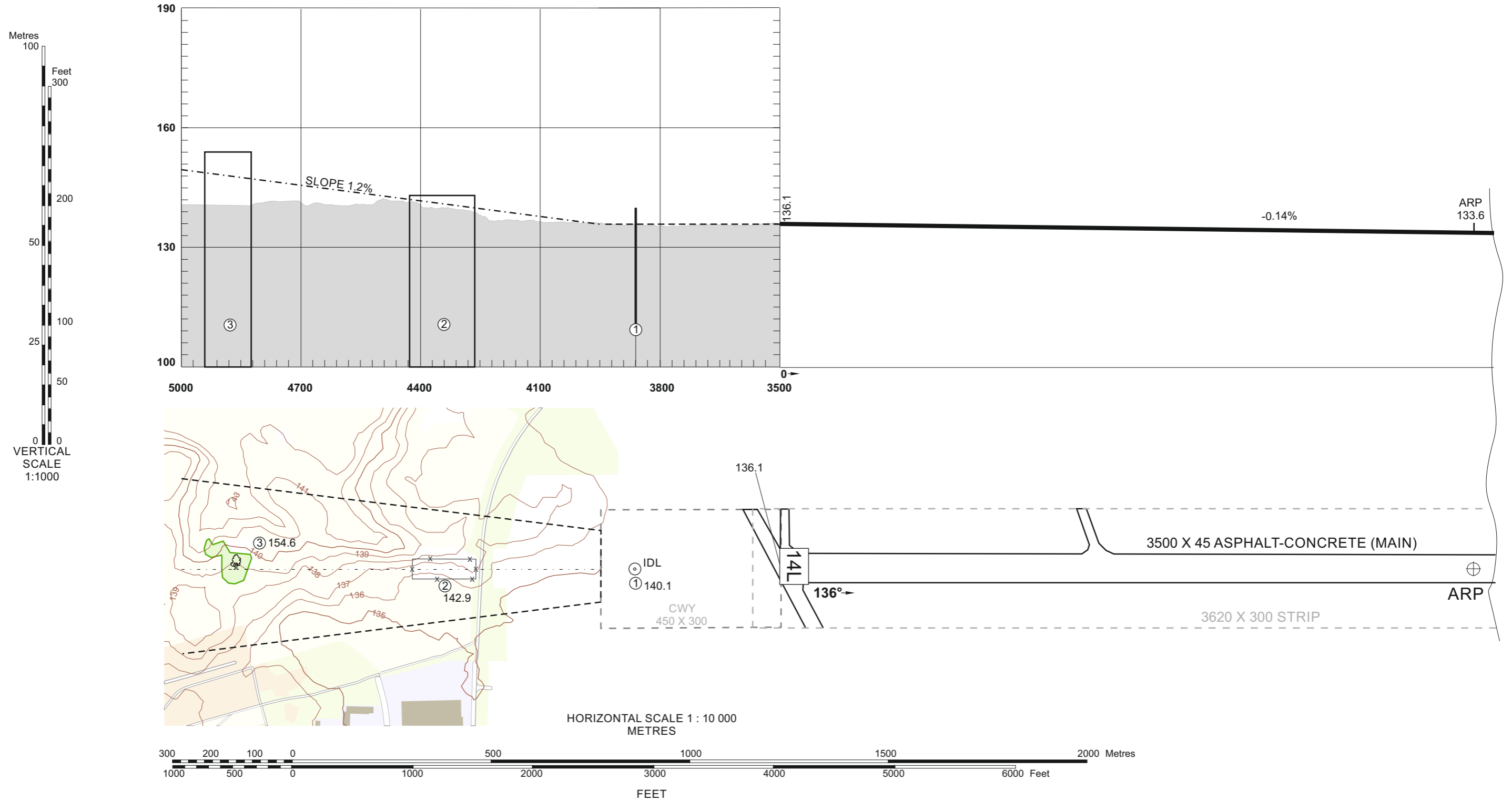


AERODROME OBSTACLE CHART - ICAO TYPE A (OPERATING LIMITATIONS)

MAGNETIC VARIATION 10° E - 2021
DIMENSIONS AND ELEVATIONS IN METRES
ORDER OF ACCURACY
HORIZONTAL 0.5M
VERTICAL 0.1M

ŠIAULIAI (EYSA)
RWY 14L

DECLARED DISTANCES	
3500	TAKE - OFF RUN AVAILABLE
3950	TAKE - OFF DISTANCE AVAILABLE
3500	ACCELERATE STOP DISTANCE AVAILABLE
3500	LANDING DISTANCE AVAILABLE



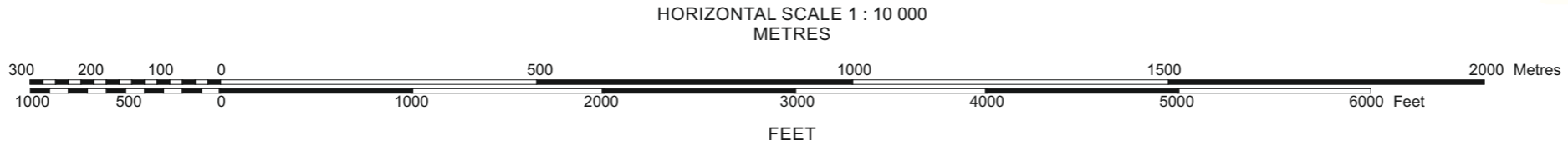
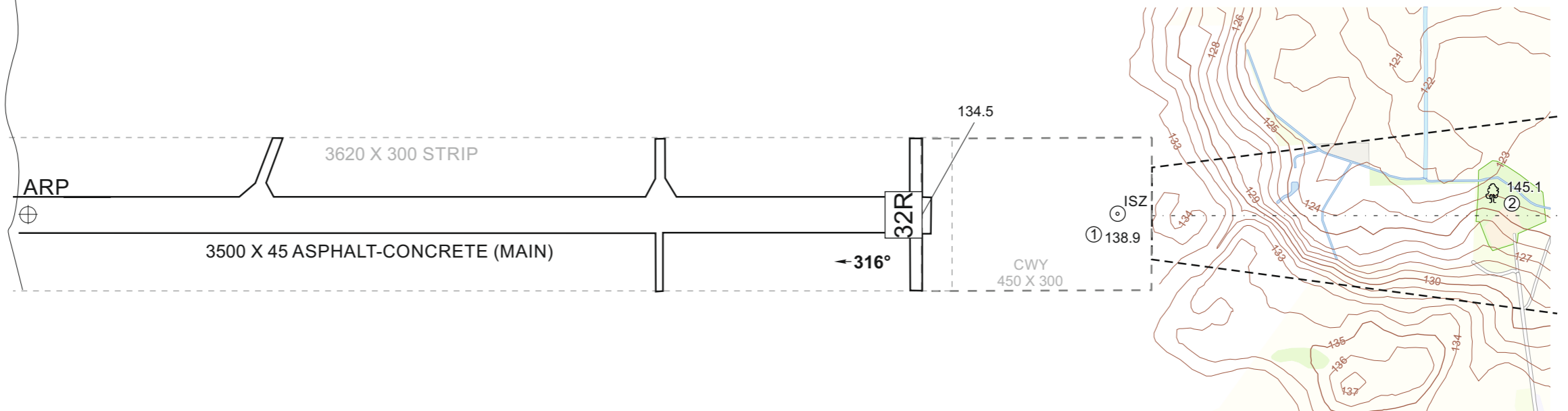
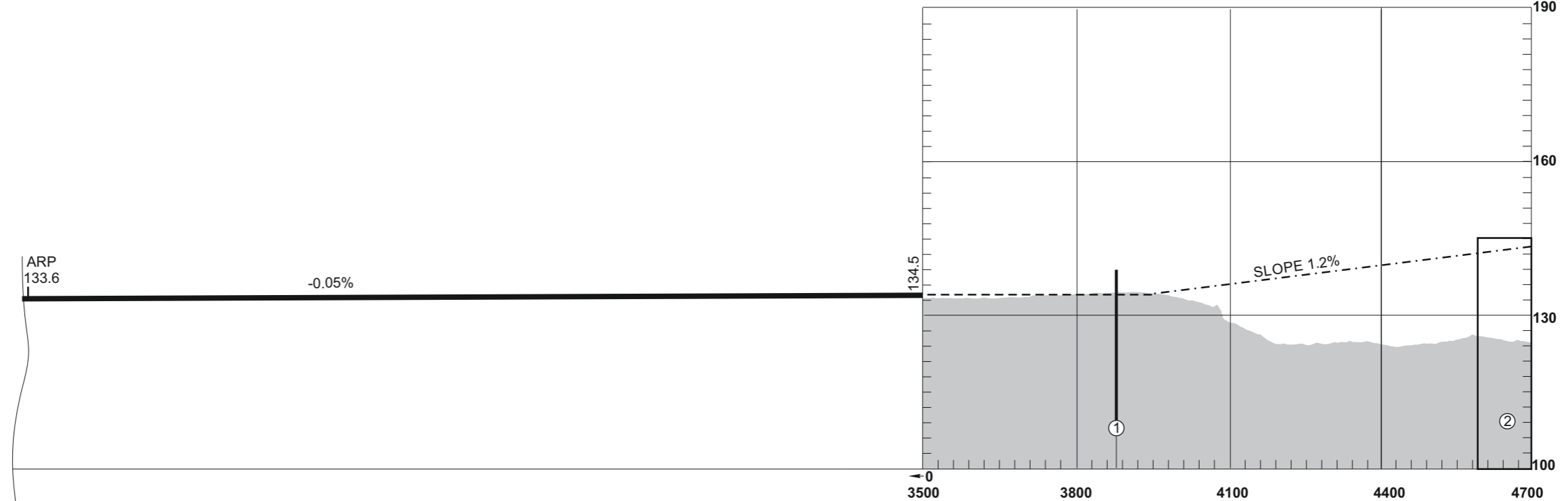
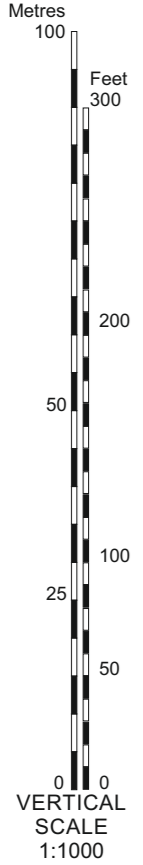
Changes:

AERODROME OBSTACLE CHART - ICAO TYPE A (OPERATING LIMITATIONS)

MAGNETIC VARIATION 10° E - 2021
DIMENSIONS AND ELEVATIONS IN METRES
ORDER OF ACCURACY
HORIZONTAL 0.5M
VERTICAL 0.1M

ŠIAULIAI (EYSA)
RWY 32R

DECLARED DISTANCES	
3500	TAKE - OFF RUN AVAILABLE
3950	TAKE - OFF DISTANCE AVAILABLE
3500	ACCELERATE STOP DISTANCE AVAILABLE
3500	LANDING DISTANCE AVAILABLE



LEGEND See GEN 2.3